

Undermount Lavatory

MNO2113RU

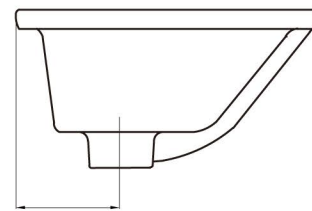
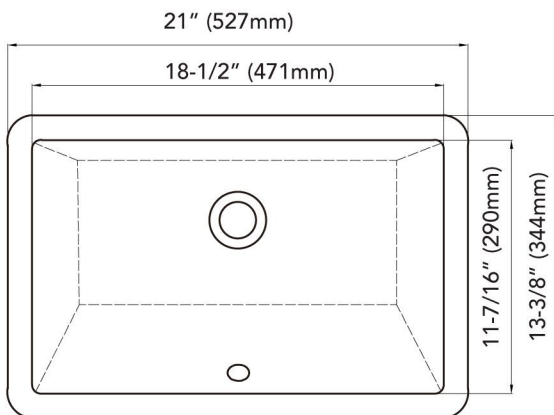
Features

- Interior dimension: 18-1 / 2" x 11-7/16"
- Exterior dimension: 21" x 13-3/8"
- Vitreous china with overflow
- Concealed front overflow
- Flattened back rim for easier installation
- Mounting clips included

Codes and Standards

Specific mode I meets or exceeds:

- cUPC/IAPMO listed
- Meets ASME Standard: A112.19.2M
- Flattened back rim for easier installation
- Mounting clips included



4-11/16" (120mm)

